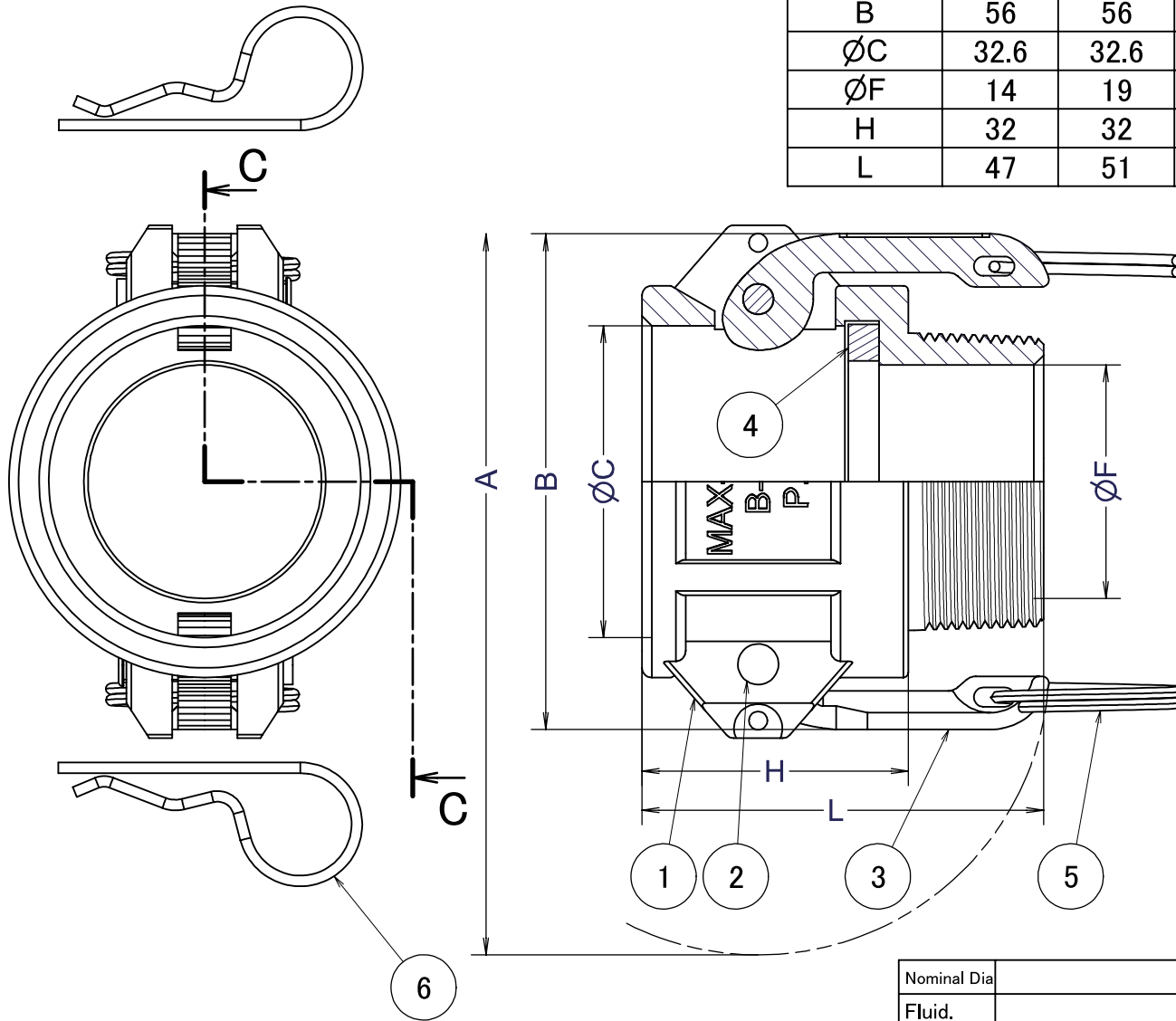



| Part No. | 75x50-B | 75-B | 100-B | 125-B | 150-B | 200-B | 300-B | 400-B | |
|----------|---------|---------|-------|-------|-------|-------|-------|-------|-----|
| Size | mm | 20x15 | 20 | 25 | 32 | 40 | 50 | 80 | 100 |
| | inches | 3/4x1/2 | 3/4 | 1 | 1 1/4 | 1 1/2 | 2 | 3 | 4 |
| A | | 110 | 110 | 125 | 177 | 182 | 195 | 249 | 279 |
| B | | 56 | 56 | 62 | 82 | 88 | 100 | 135 | 166 |
| ØC | | 32.6 | 32.6 | 37.5 | 47 | 54 | 64.5 | 92.6 | 120 |
| ØF | | 14 | 19 | 23.5 | 28 | 37 | 48 | 75 | 98 |
| H | | 32 | 32 | 41 | 44 | 46.5 | 55 | 59 | 58 |
| L | | 47 | 51 | 61 | 64 | 71 | 83 | 89 | 92 |

注意 Units:mm
400-Bのカムアームは4本です。



Section C-C

| ITEM | PART NAME | MATERIAL | Q'TY | REMARKS |
|------|-----------|----------|------|---------|
| 6 | セーフティピン | SWRH77B | 2 | |
| 5 | リング | SUS430 | 2 | |
| 4 | ガスケット | NBR | 1 | |
| 3 | カムアーム | SUS430 | 2 | |
| 2 | ピン | SUS430 | 2 | |
| 1 | ボディ | ポリプロピレン | 1 | |

| | | | | | |
|-----------------|---------------|-------|------|------|--|
| Nominal Dia | CUSTOMER | | | | TITLE |
| Fluid. | | | | | MAX-LOK MAX-B 雄ネジカプラ |
| Press. | DATE | SCALE | DRAW | APPR | |
| Temp. | Jul.7'17 | none | ToMo | |  FULLNESS JAPAN CORPORATION. |
| Drawing History | MAX-B-05PP-01 | | | 3 | |