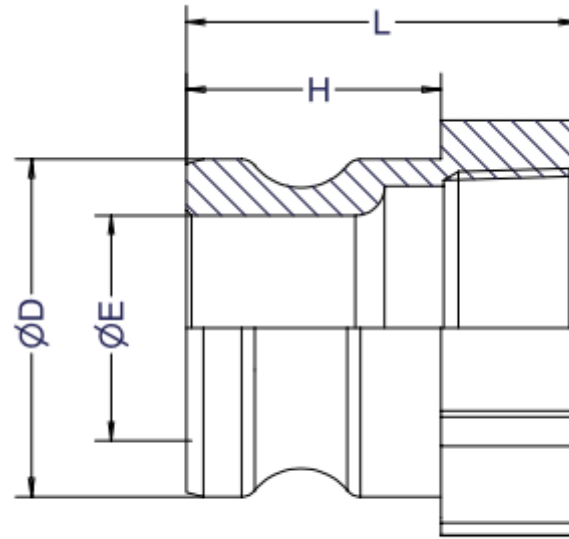
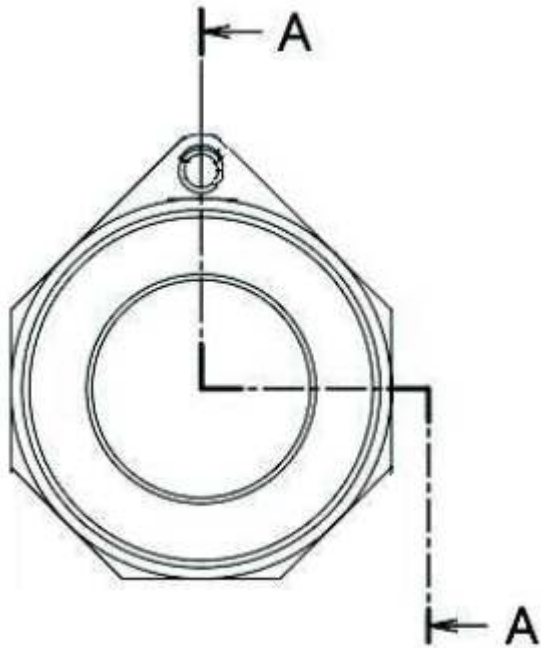



Part No.	75x50-A	75-A	100-A	125-A	150-A	200-A	300-A	400-A	
Size	mm	20x15	20	25	32	40	50	80	100
	inches	3/4x1/2	3/4	1	1 1/4	1 1/2	2	3	4
ØD		32							
ØE		20	--	--					
K		34							
H		27							
L		43							

Units:mm



Section A-A

Nominal Dia	1	BODY				ポリプロピレン	1		
	Fluid.	ITEM	PART NAME				MATERIAL	Q'TY	REMARKS
	Press.	CUSTOMER					TITLE		
	Temp.	DATE				SCALE	DRAW	APPR	<b>MAX-LOK</b> MAX-A 雌ネジアダプター
	Drawing History	none				DWG No.		 FULLNESS JAPAN CORPORATION.	
	MAX-A-05PP.				3				