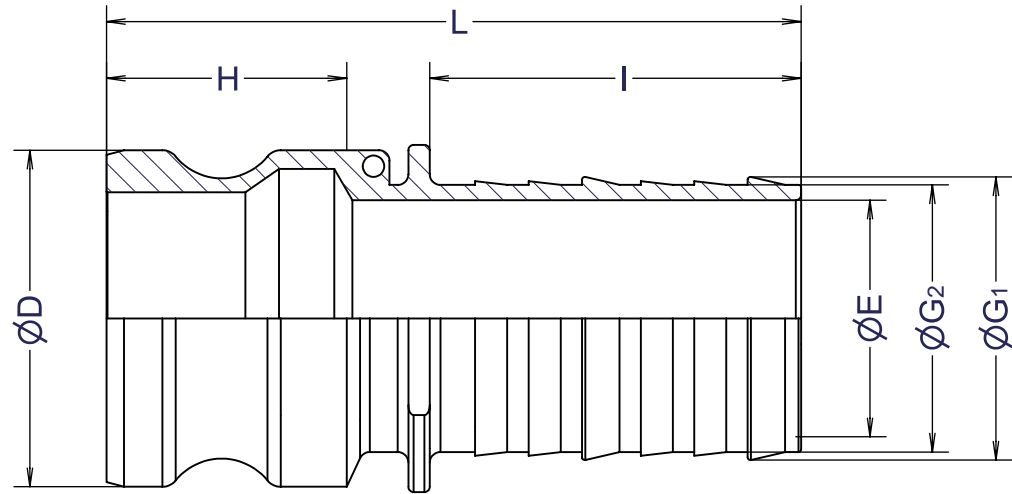




| Part No. | 75-E | 100-E | 125-E | 150-E | 200-E | 250-E | 300-E | 400-E | |
|-----------------|--------|-------|-------|-------|-------|-------|-------|-------|-----|
| Size | mm | 20 | 25 | 32 | 40 | 50 | 65 | 80 | 100 |
| | inches | 3/4 | 1 | 1 1/4 | 1 1/2 | 2 | 2 1/2 | 3 | 4 |
| ØD | 32 | 36.7 | 45.5 | 53.4 | 63 | 75.8 | 91.5 | 119.5 | |
| ØE | 14 | 19.6 | 25 | 31.4 | 44.3 | 56 | 69 | 92 | |
| ØG ₁ | 20.6 | 26.8 | 33.9 | 40.4 | 53 | 64 | 77.7 | 103 | |
| ØG ₂ | 18.6 | 25 | 31.8 | 37.5 | 50 | 60 | 75 | 98.9 | |
| H | 25.4 | 32.5 | 38 | 38 | 45 | 47 | 46 | 47 | |
| I | 50 | 56 | 56 | 58 | 69.5 | 79 | 101 | 105 | |
| L | 85 | 100 | 106 | 112 | 130 | 141 | 164 | 174 | |
| Weight(kg) | 0.16 | 0.24 | 0.45 | 0.46 | 0.66 | 1.06 | 1.37 | 2.28 | |

Units:mm



Section E-E

| | | | | |
|-----------------|-----------|---|-------|---------|
| 1 | ボディ | BRASS | 1 | |
| ITEM | PART NAME | MATERIAL | Q'TY | REMARKS |
| Nominal Dia | CUSTOMER | TITLE | | |
| Fluid. | |  | | |
| Press. | | SFI-E ホースアダプター | | |
| Temp. | |  | | |
| Drawing History | | DATE | SCALE | DRAW |
| | | Apr.12'12 | none | ToMo |
| | | DWG No. | | |
| | | SFI-E-03BS-12 | | 3 |