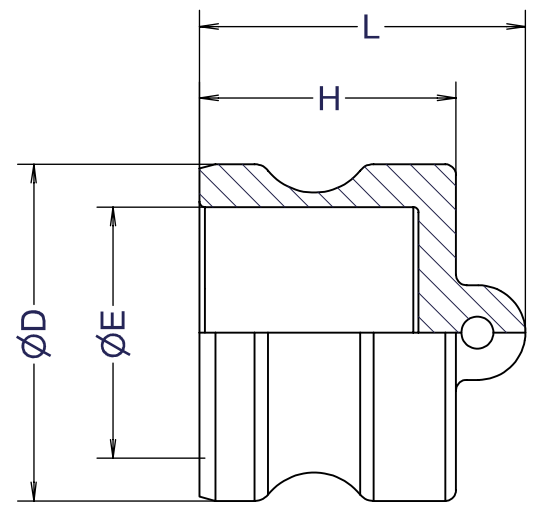
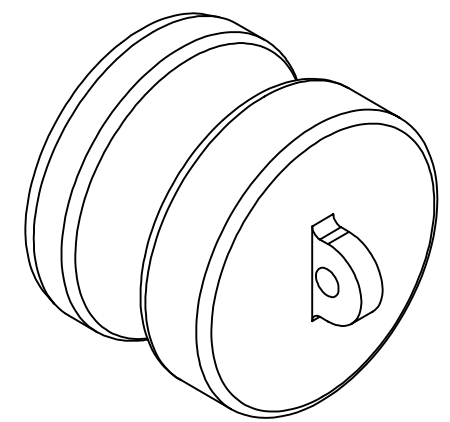
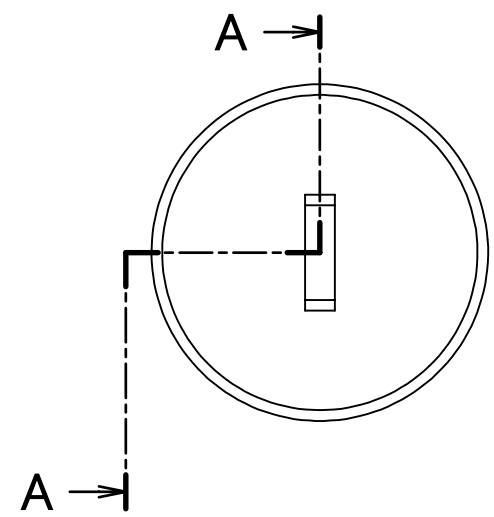



Part No.	75-DP	100-DP	125-DP	150-DP	200-DP	300-DP	400-DP	
Size	mm	20	25	32	40	50	80	100
	inches	3/4	1	1 1/4	1 1/2	2	3	4
ØD	32	36.7	45.5	53.4	63	91.5	119.5	
ØE	22	23	28	35	47	76.4	99	
H	23	30.5	39	39	48	48	41	
L	36	43	55	55	61	72	59	

Units:mm



Section A-A



1	BODY	ポリプロピレン	1	
ITEM	PART NAME	MATERIAL	Q'TY	REMARKS
CUSTOMER		TITLE		
		<b>MAX-LOK</b>		
		MAX-DP ダストプラグ		
DATE		SCALE	DRAW	APPR
Oct.20'08		none	ToMo	
Temp.		DWG No.		
Drawing History		MAX-DP-05PP-84		3
		 <b>FULLNESS JAPAN CORPORATION.</b>		